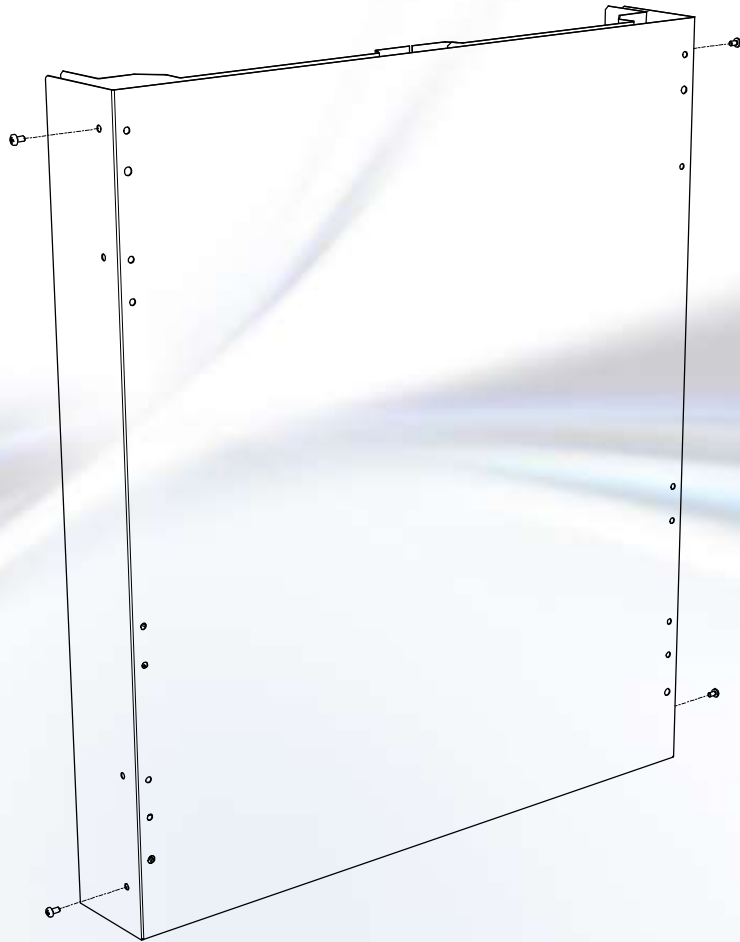
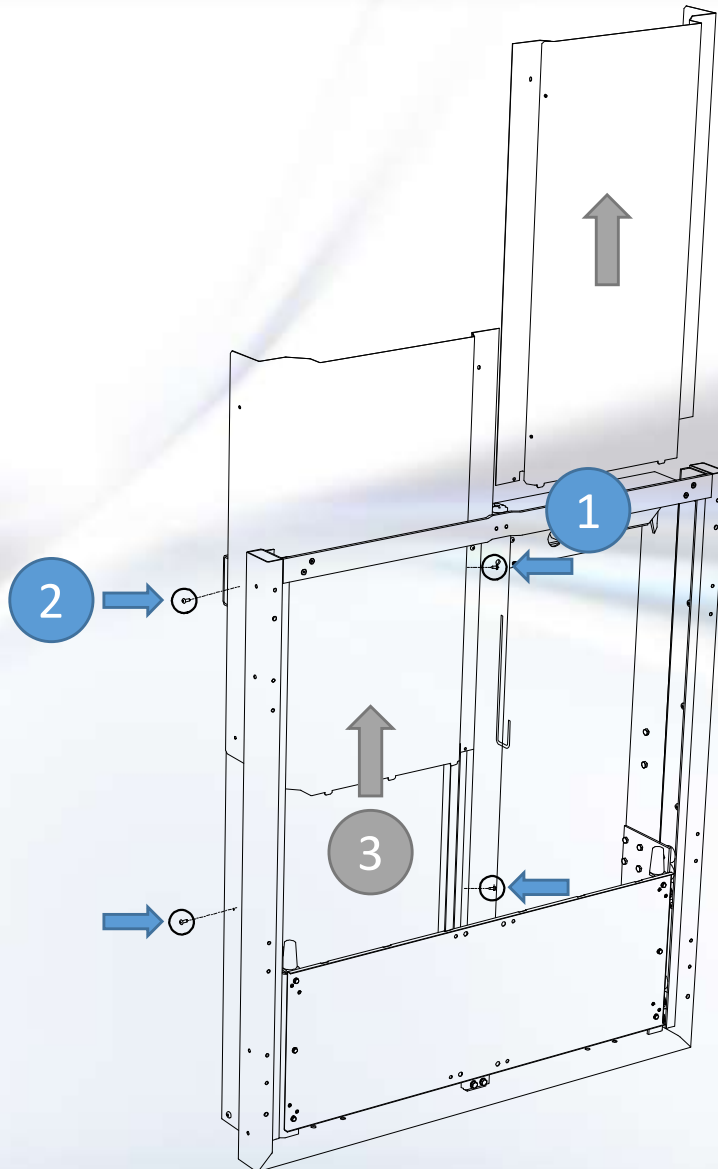


Mounting a BalanceBox® 650 to a brick wall



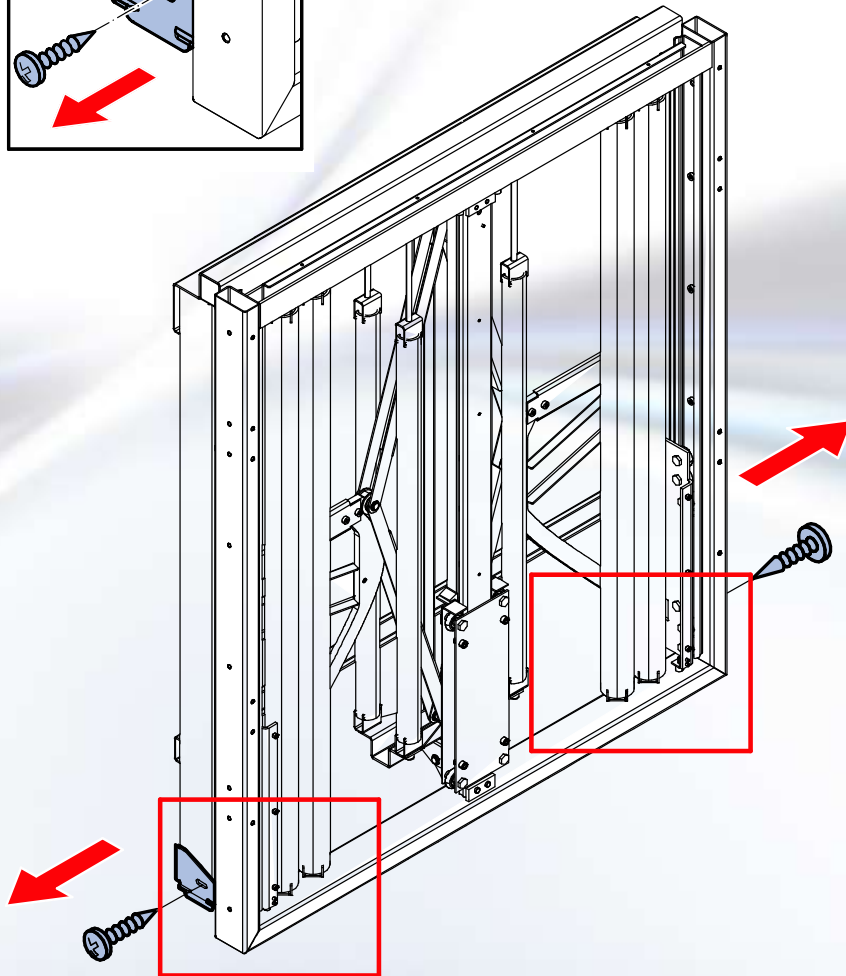
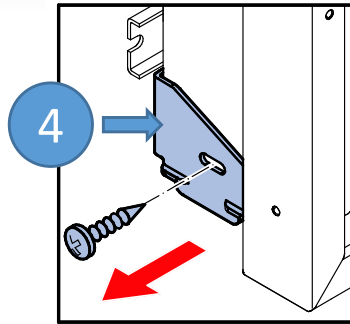
Unpack the BalanceBox® 650
Remove the application frame
cover (optional)

Mounting a BalanceBox[®] 650 to a brick wall



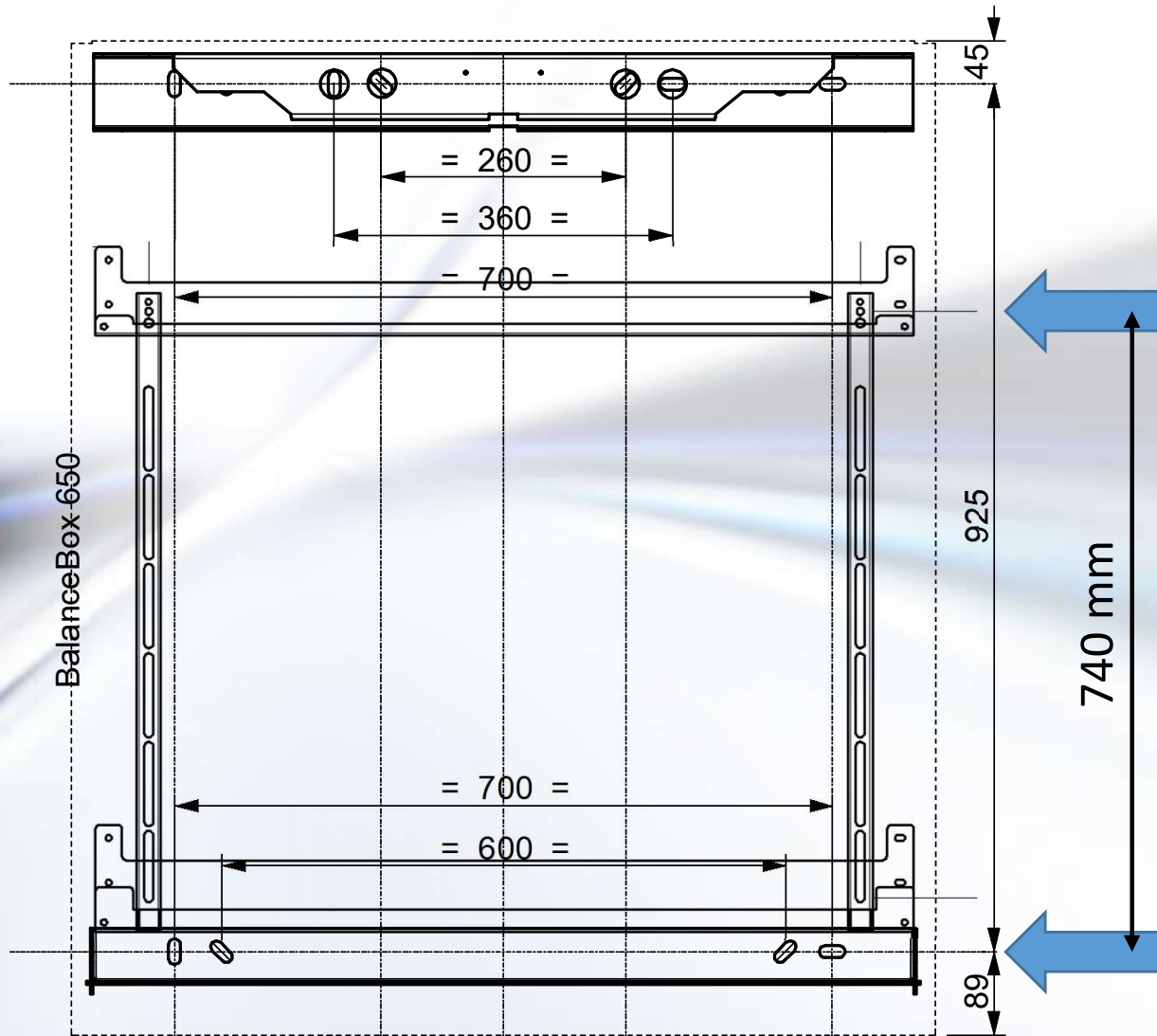
Remove the wall frame covers:
Undo the screws front (1) and
side (2) and slide out to the top
(3).

Mounting a BalanceBox[®] 650 to a brick wall



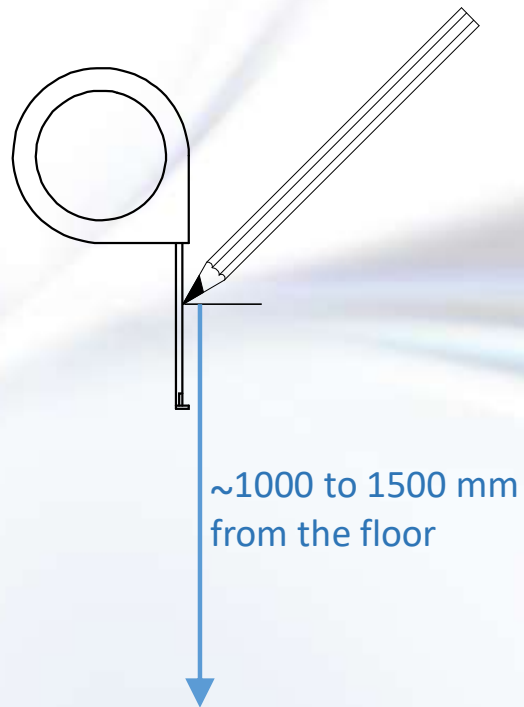
Remove the wall bracket (4):
Undo the screws left and right
and remove the bracket.

Mounting a BalanceBox® 650 to a brick wall



Calculate the mounting height of the BalanceBox® 650 wall bracket at the bottom.

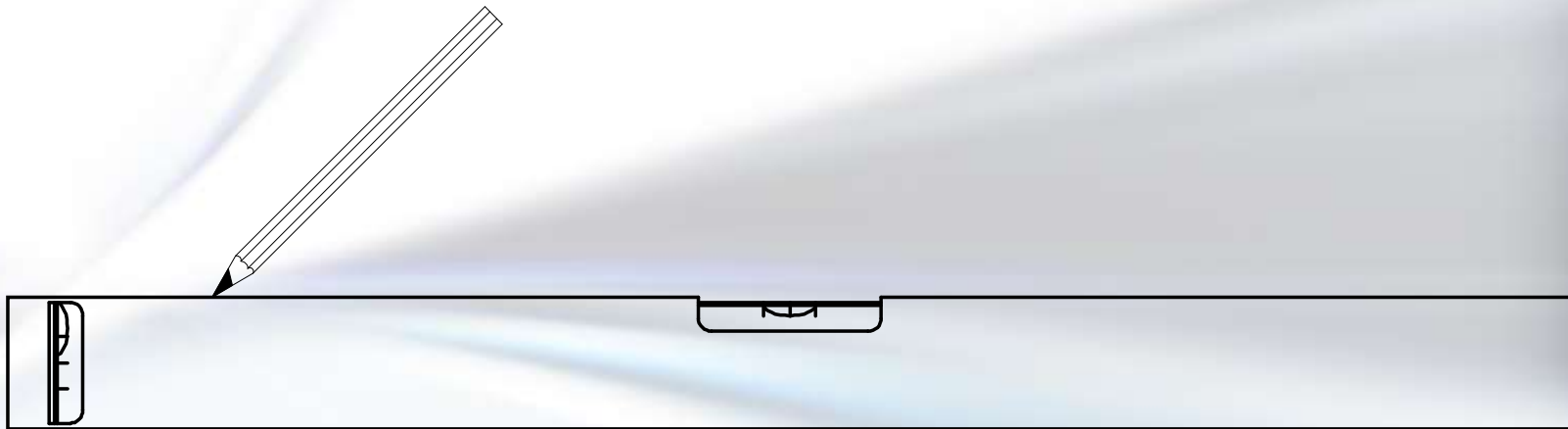
Mounting a BalanceBox[®] 650 to a brick wall



Measure the mounting height
from the floor.

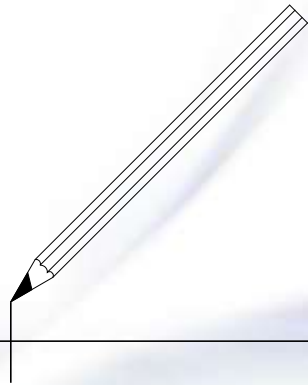
And mark it

Mounting a BalanceBox[®] 650 to a brick wall



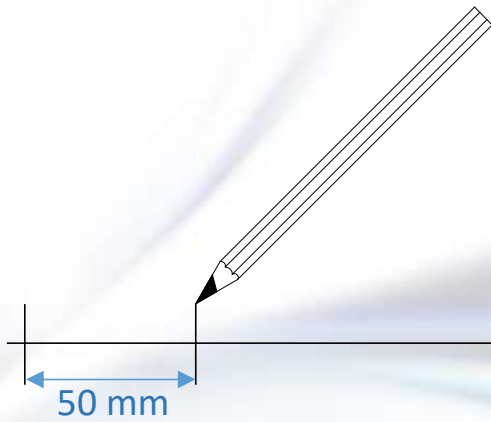
Using a level, mark the horizontal position of the other holes level to the first hole.
(distance 750 mm)

Mounting a BalanceBox[®] 650 to a brick wall



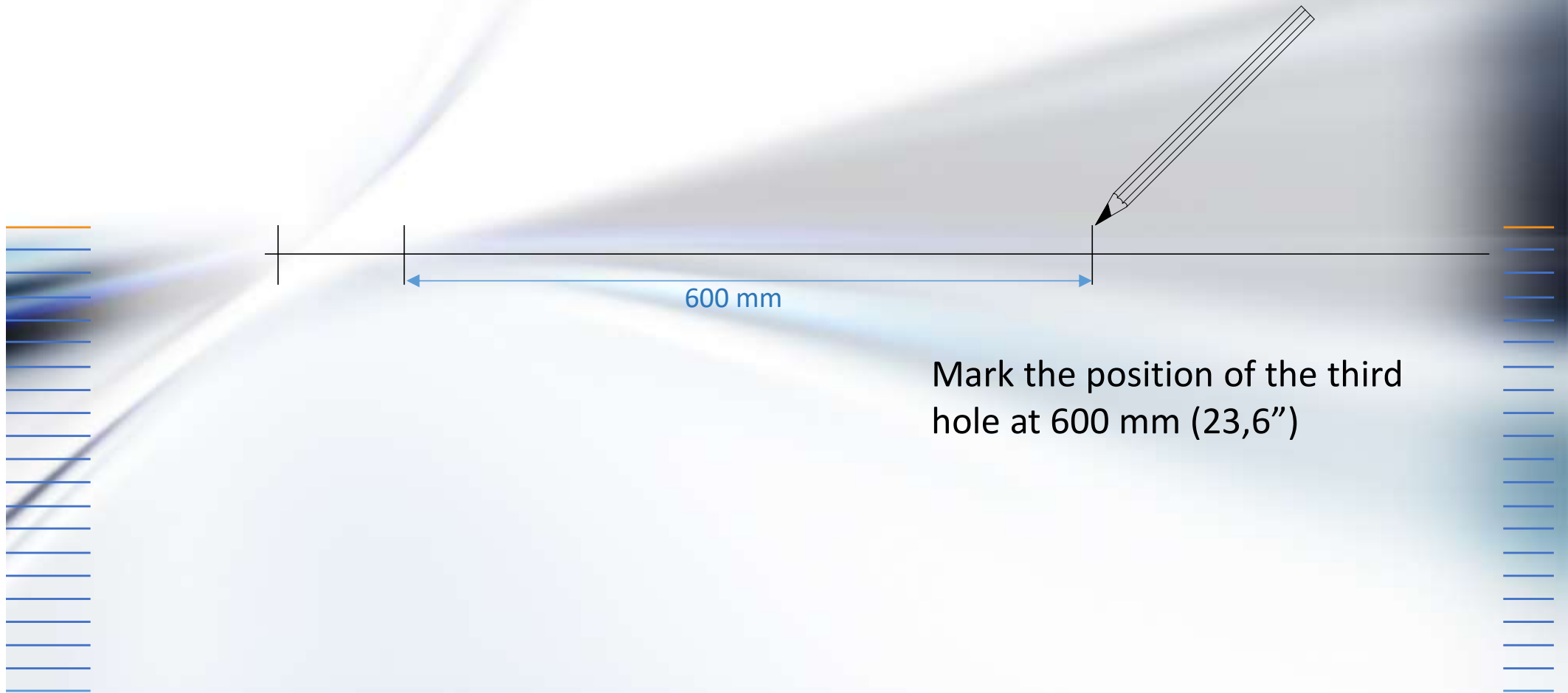
Mark the position of the first hole

Mounting a BalanceBox[®] 650 to a brick wall

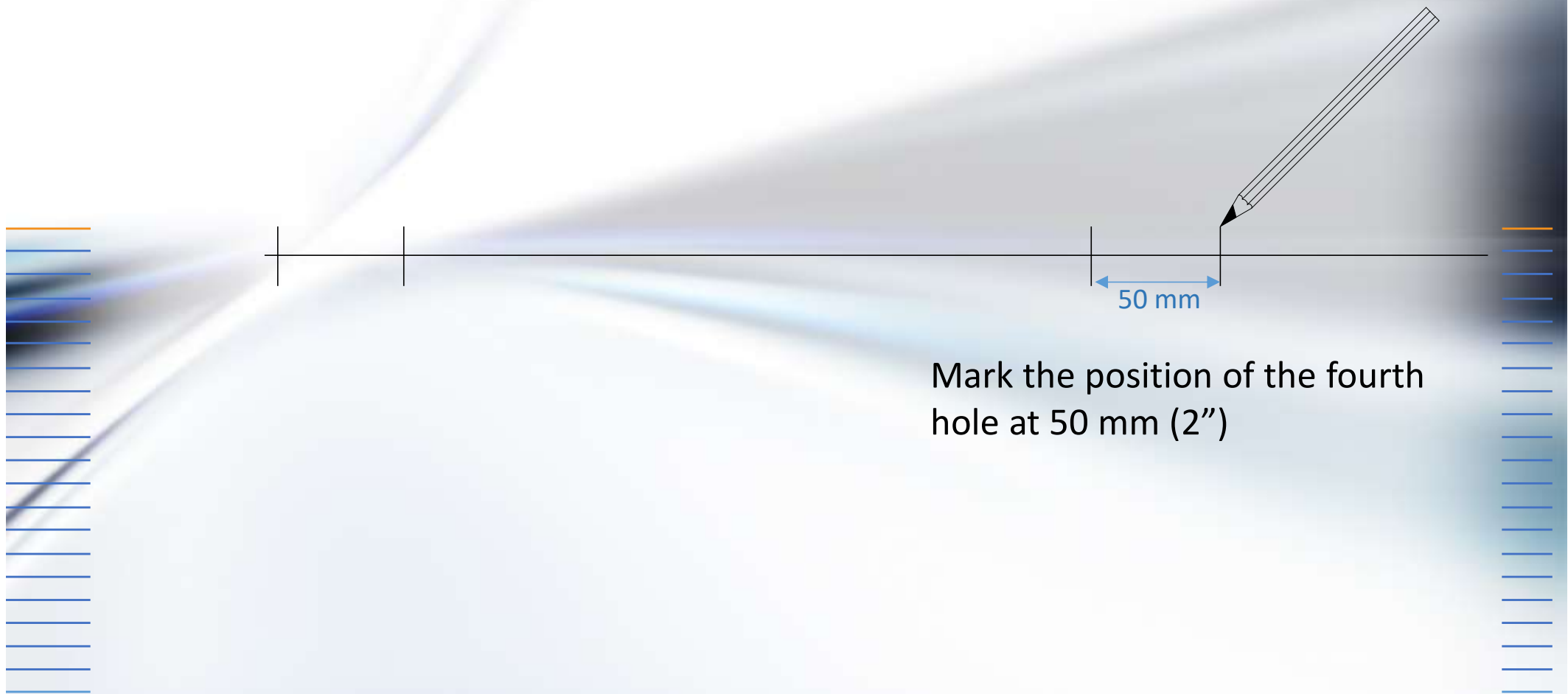


Mark the position the second hole at 50 mm (2")

Mounting a BalanceBox[®] 650 to a brick wall

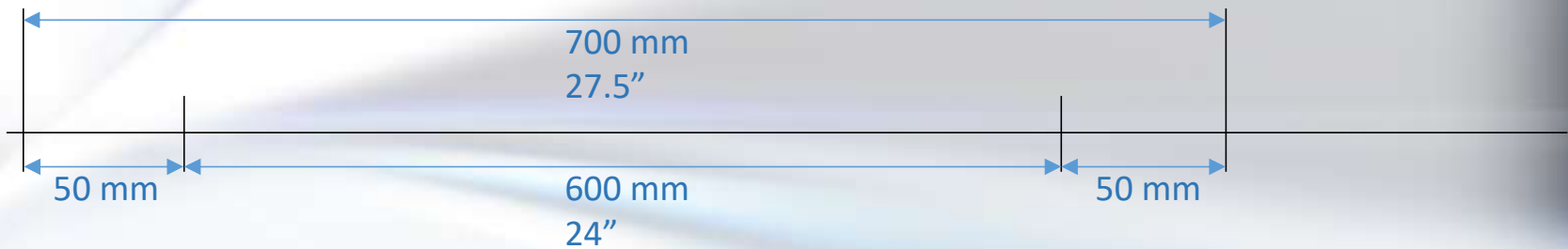


Mounting a BalanceBox[®] 650 to a brick wall



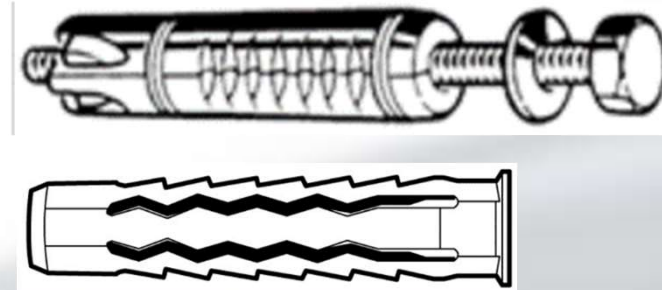
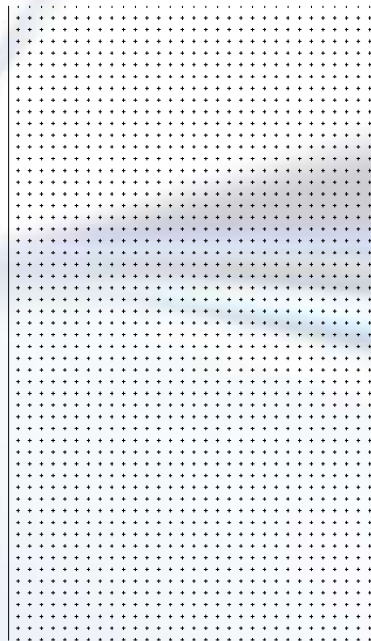
Mark the position of the fourth hole at 50 mm (2")

Mounting a BalanceBox[®] 650 to a brick wall



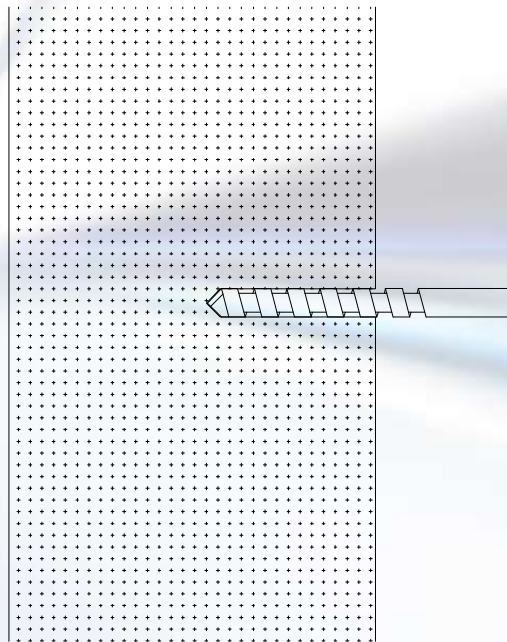
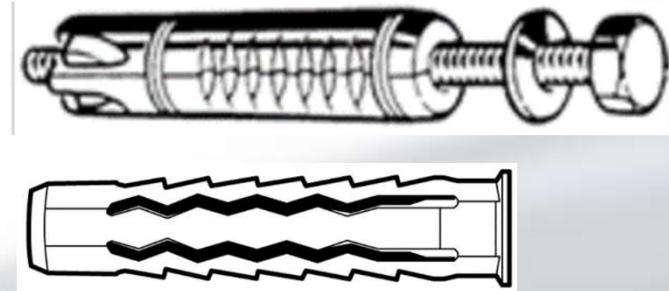
Mark the position of the fourth hole at 50 mm (2")

Mounting a BalanceBox[®] 650 to a brick wall



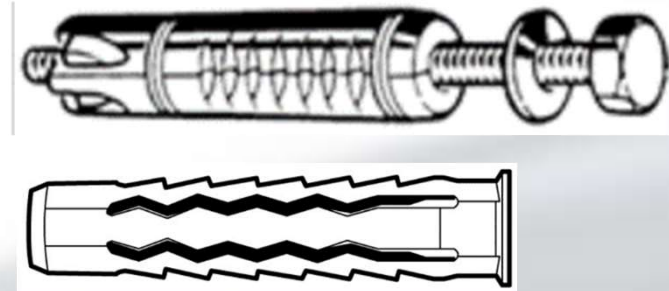
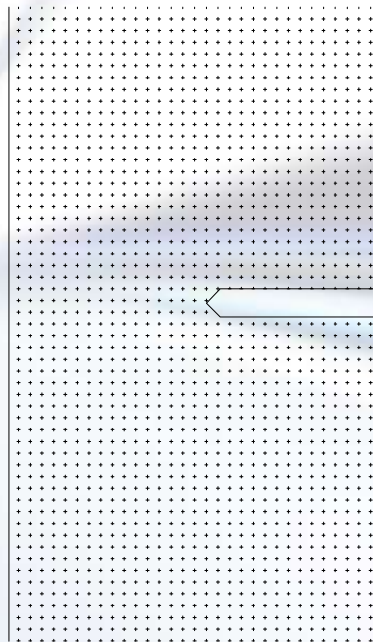
Drill the holes in the brick wall, use a 14 mm drill for plastic plugs and 10 mm diameter screws, or appropriate drill for other type wall anchors.

Mounting a BalanceBox[®] 650 to a brick wall



Drill the holes in the brick wall, use a 14 mm drill for plastic plugs and 10 mm diameter screws, or appropriate drill for other type wall anchors.

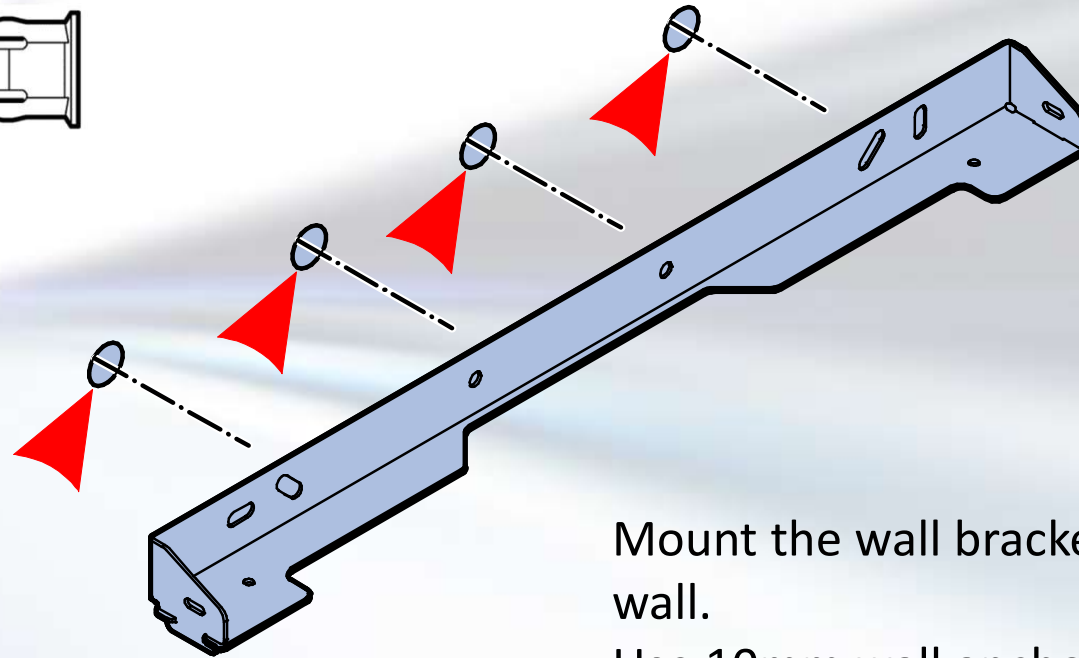
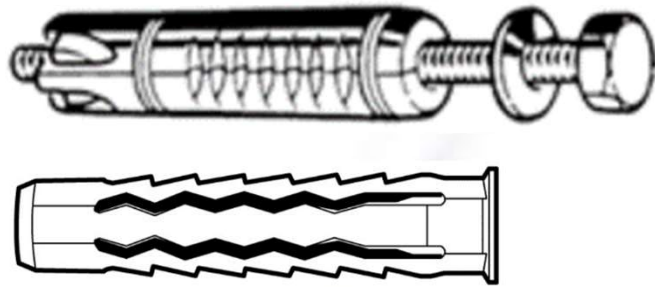
Mounting a BalanceBox® 650 to a brick wall



Insert the plug or wall anchor.
Mounting hardware used
depends on the type of wall.

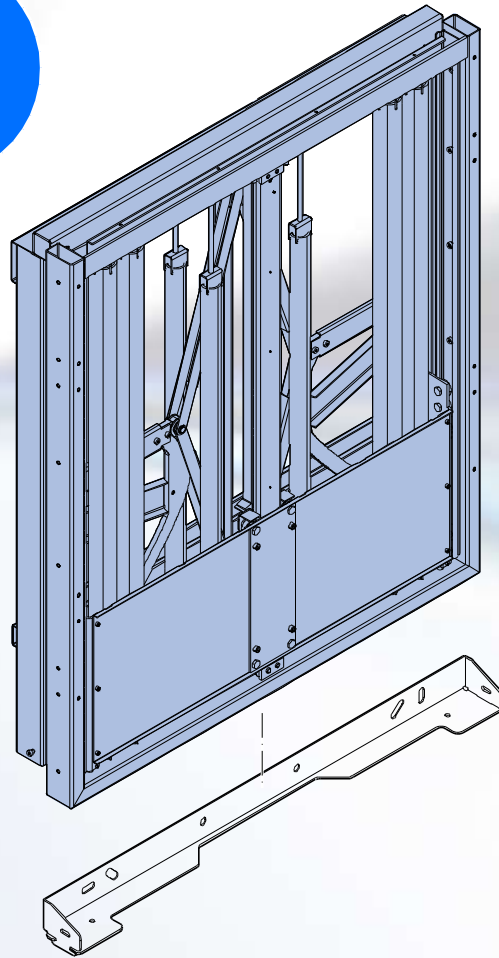
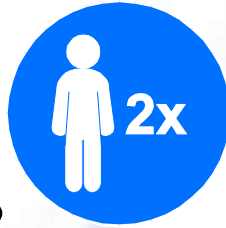
Hardware is **not** included.

Mounting a BalanceBox[®] 650 to a brick wall



Mount the wall bracket to the wall.
Use 10mm wall anchors or screws.

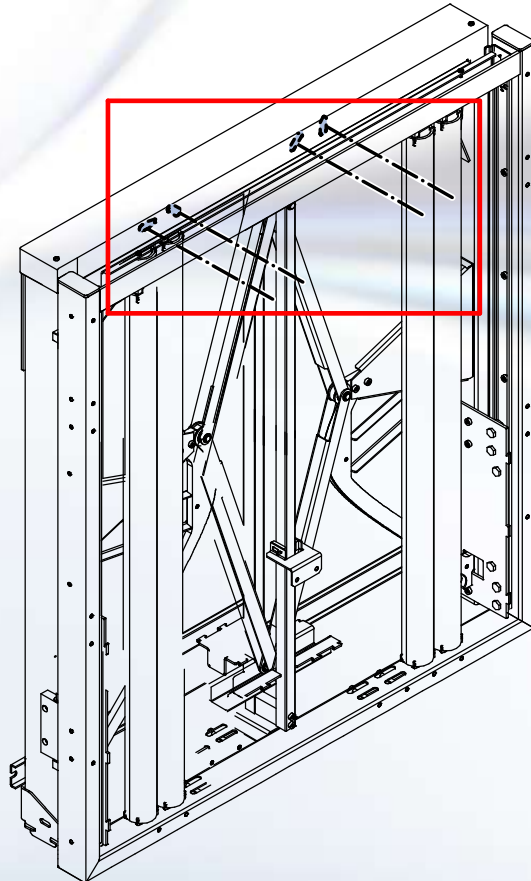
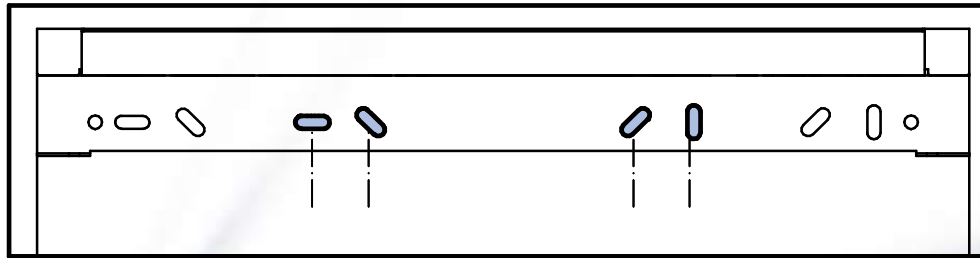
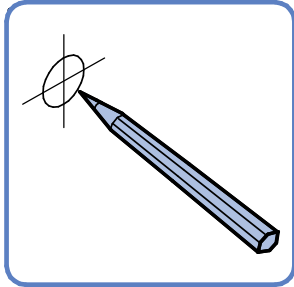
Mounting a BalanceBox[®] 650 to a brick wall



Lift the BalanceBox[®] in place
(warning: 46 kg, 2 people!)

Hold it there

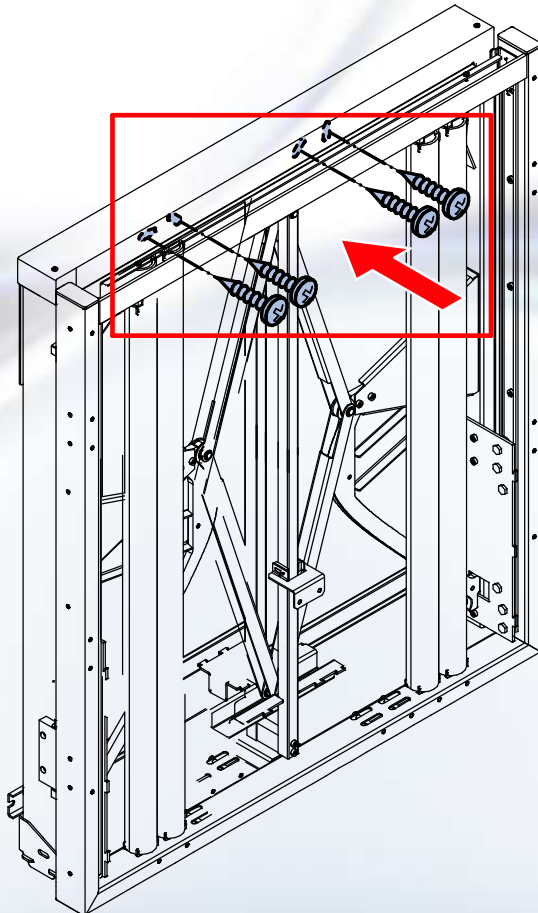
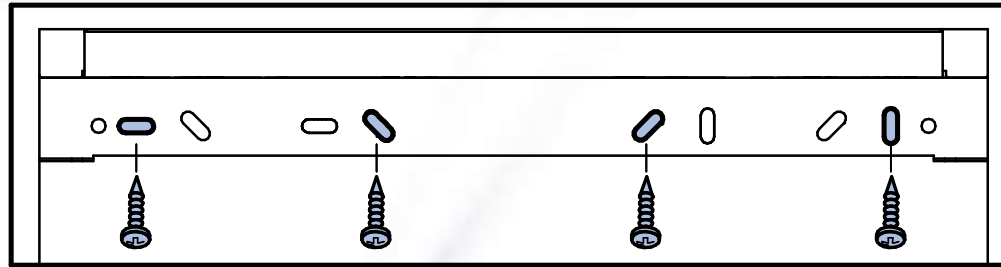
Mounting a BalanceBox[®] 650 to a brick wall



Mark the mounting holes at the top of the BalanceBox[®]

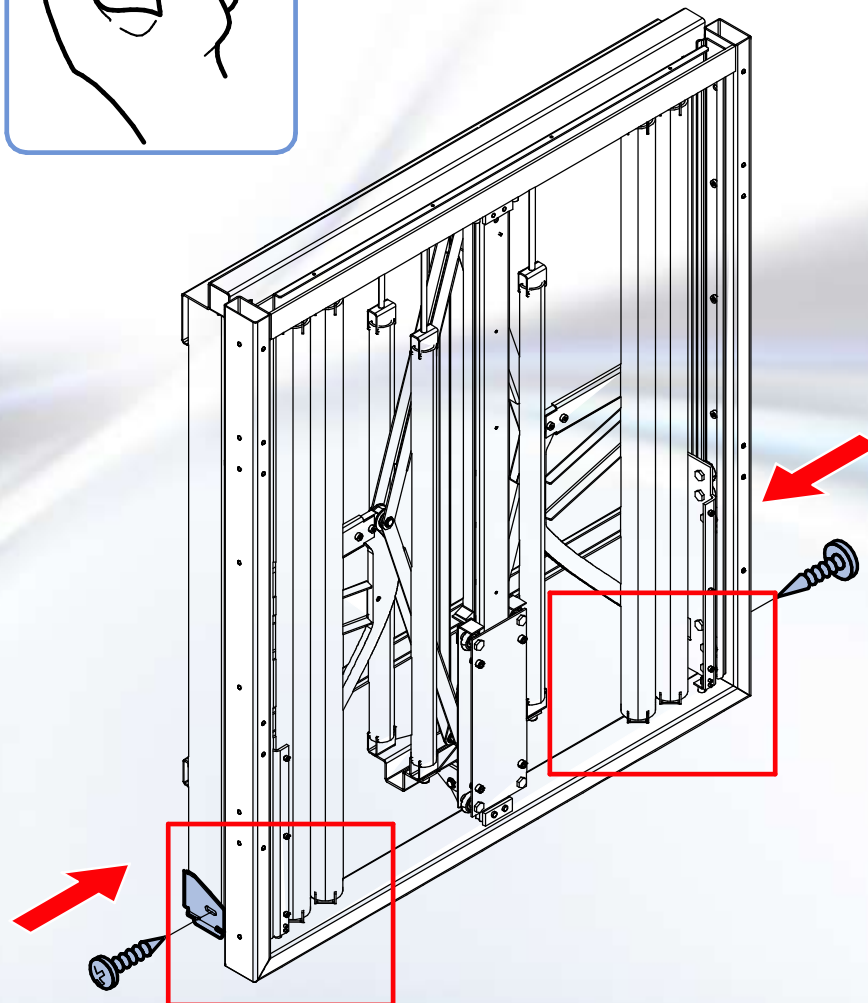
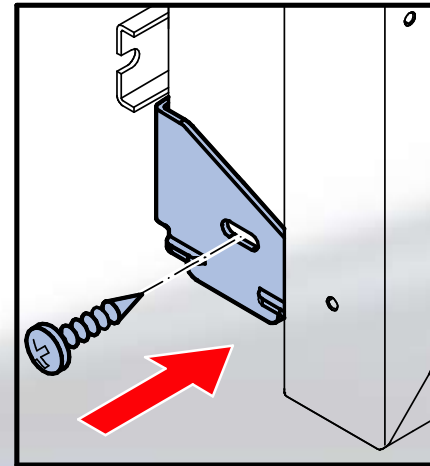
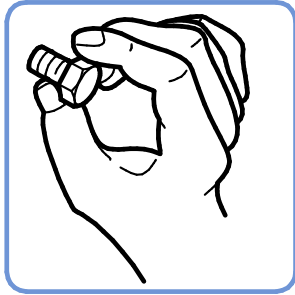
Take the BalanceBox[®] down and put it aside, drill the holes

Mounting a BalanceBox[®] 650 to a brick wall



Lift the BalanceBox[®] 650 in place again (warning: 46 kg, 2 people!)
And tighten the screws at the top.

Mounting a BalanceBox® 650 to a brick wall



Put the security screws back securing the wall bracket to the BalanceBox®.

Do not tighten the screws yet

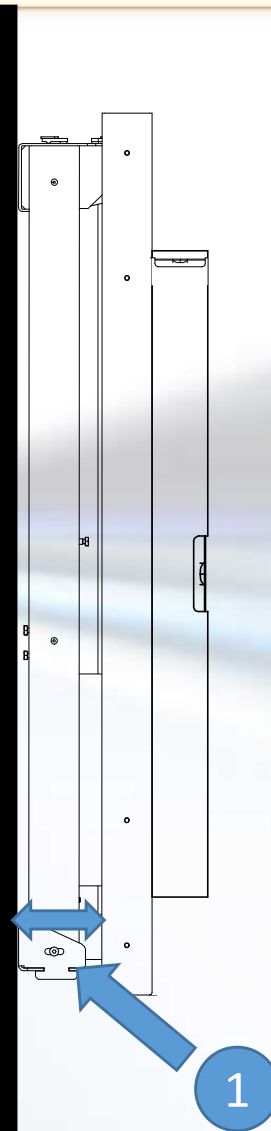
Mounting a BalanceBox[®] 650 to a brick wall



Always level the
BalanceBox[®] vertically!

Avoid it crashing into the
wall during use and noise
from misalignment.

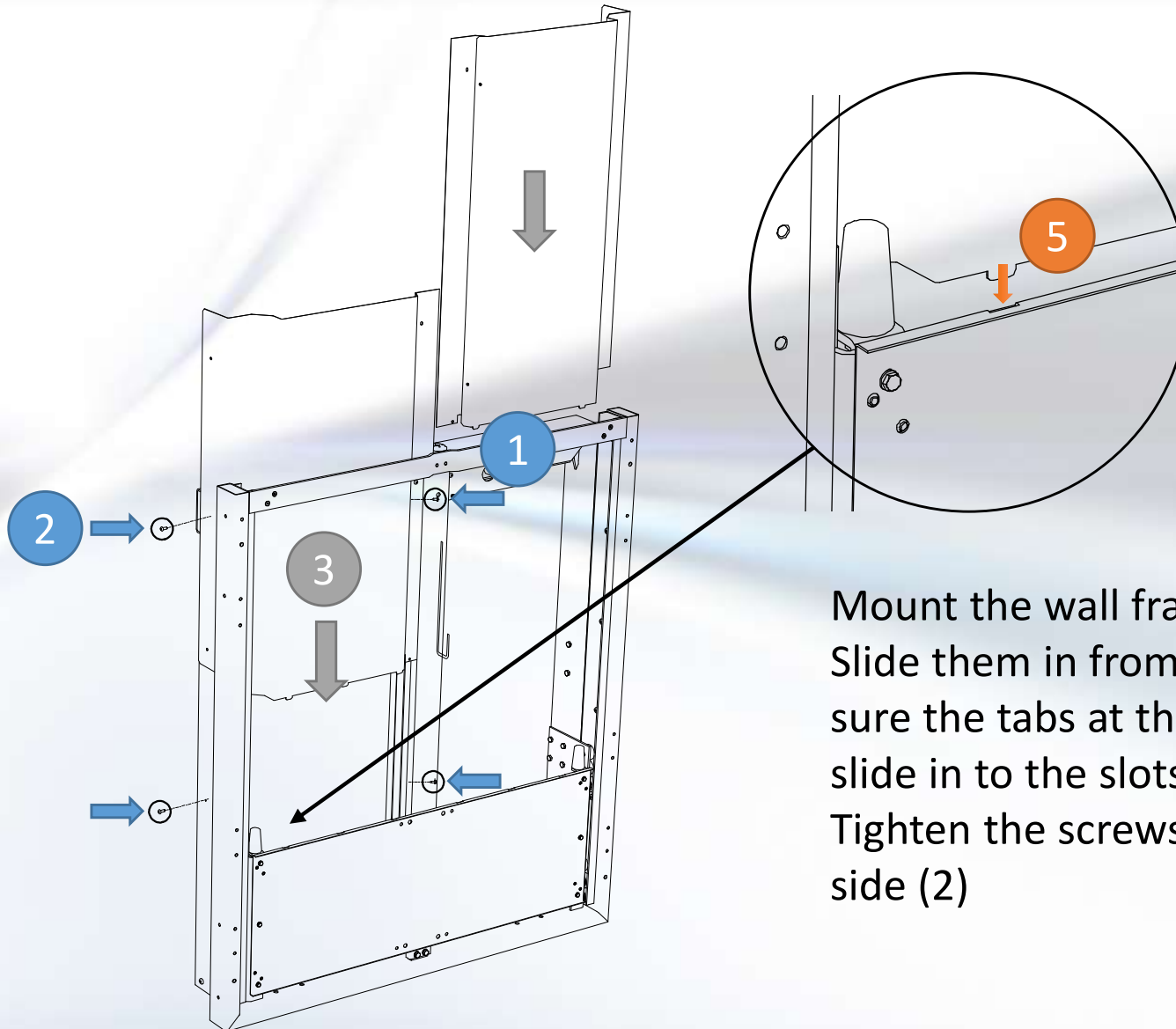
Mounting a BalanceBox[®] 650 to a brick wall



Level the BalanceBox at the bottom

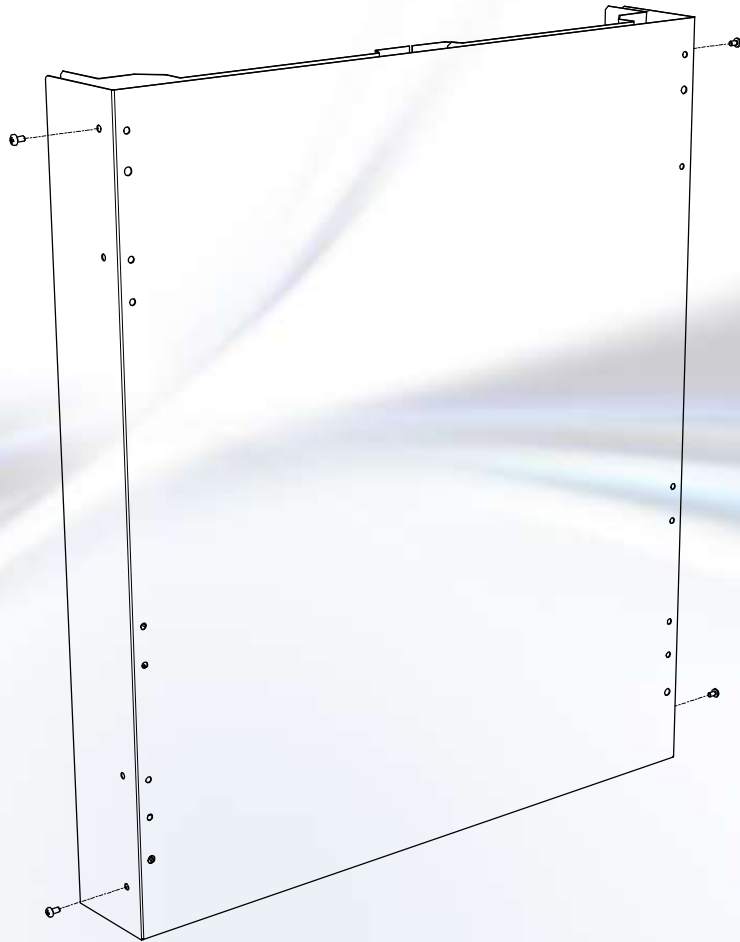
Tighten the security screws (1) on both sides.

Mounting a BalanceBox[®] 650 to a brick wall



Mount the wall frame covers (3):
Slide them in from the top, make
sure the tabs at the bottom (5)
slide in to the slots.
Tighten the screws front (1) and
side (2)

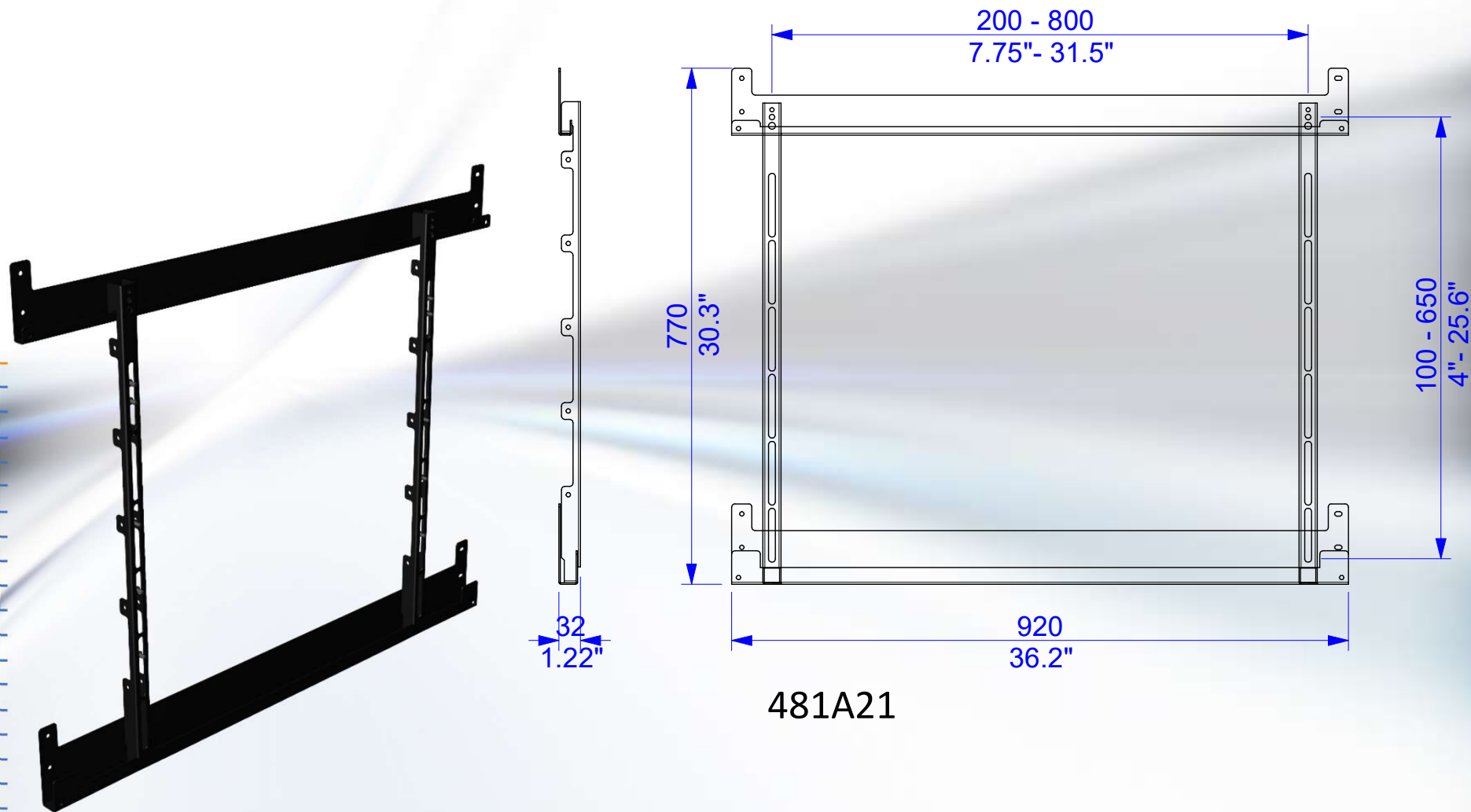
Mounting a BalanceBox[®] 650 to a brick wall



Mount the application frame cover (optional), tighten the 2 screws on either side at the indicated positions.

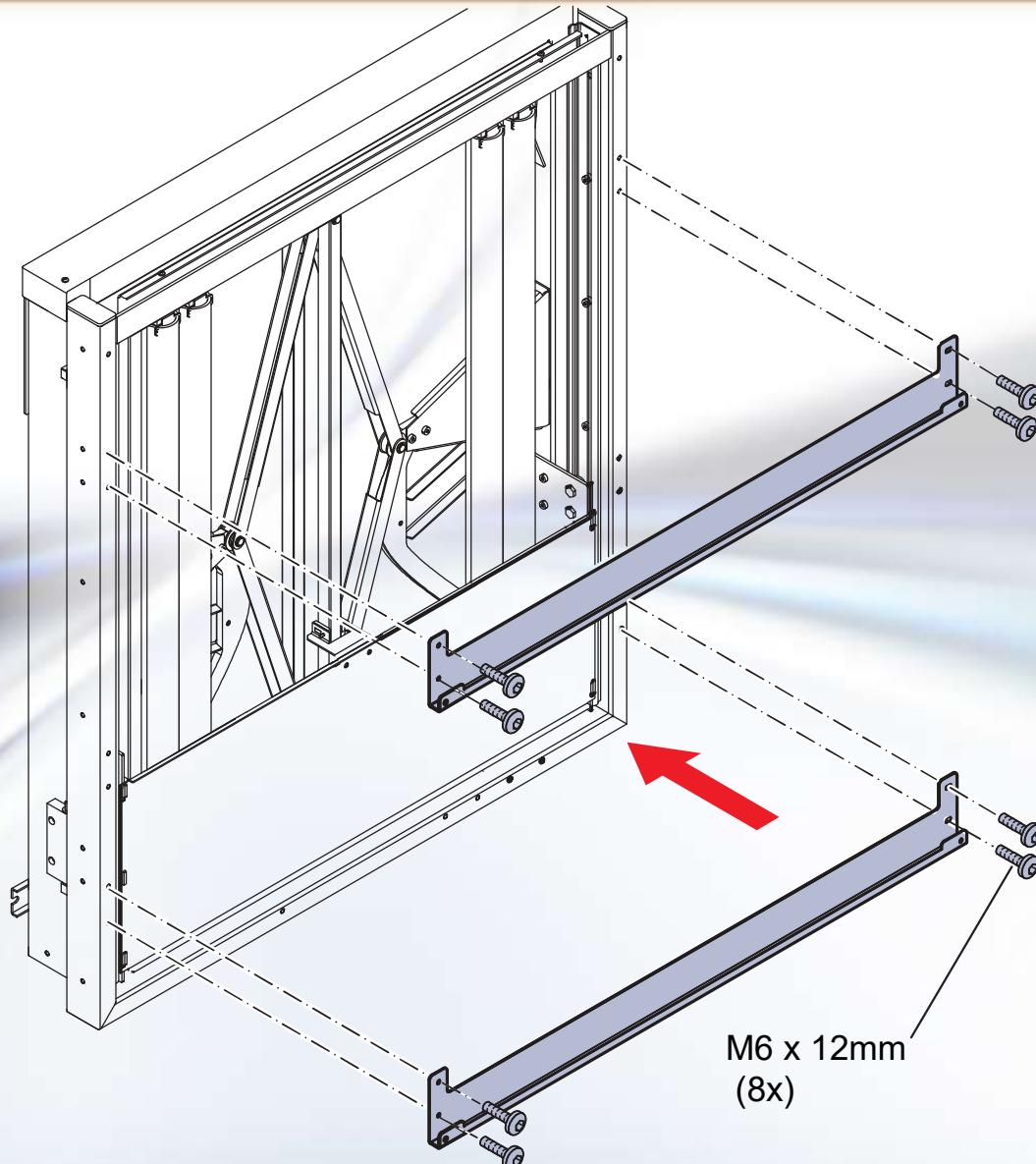


Mounting the vesa bracket to a BalanceBox® 650



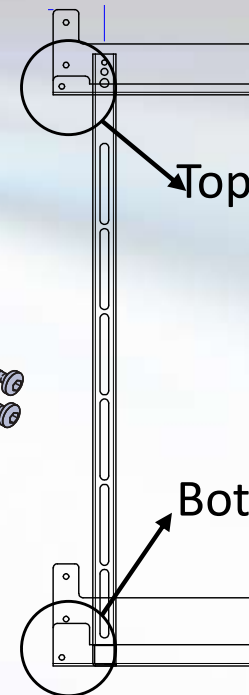


Mounting the vesa bracket to a BalanceBox® 650



Mount the horizontal profiles to the BalanceBox® 650.

NOTE: top and bottom profiles are different



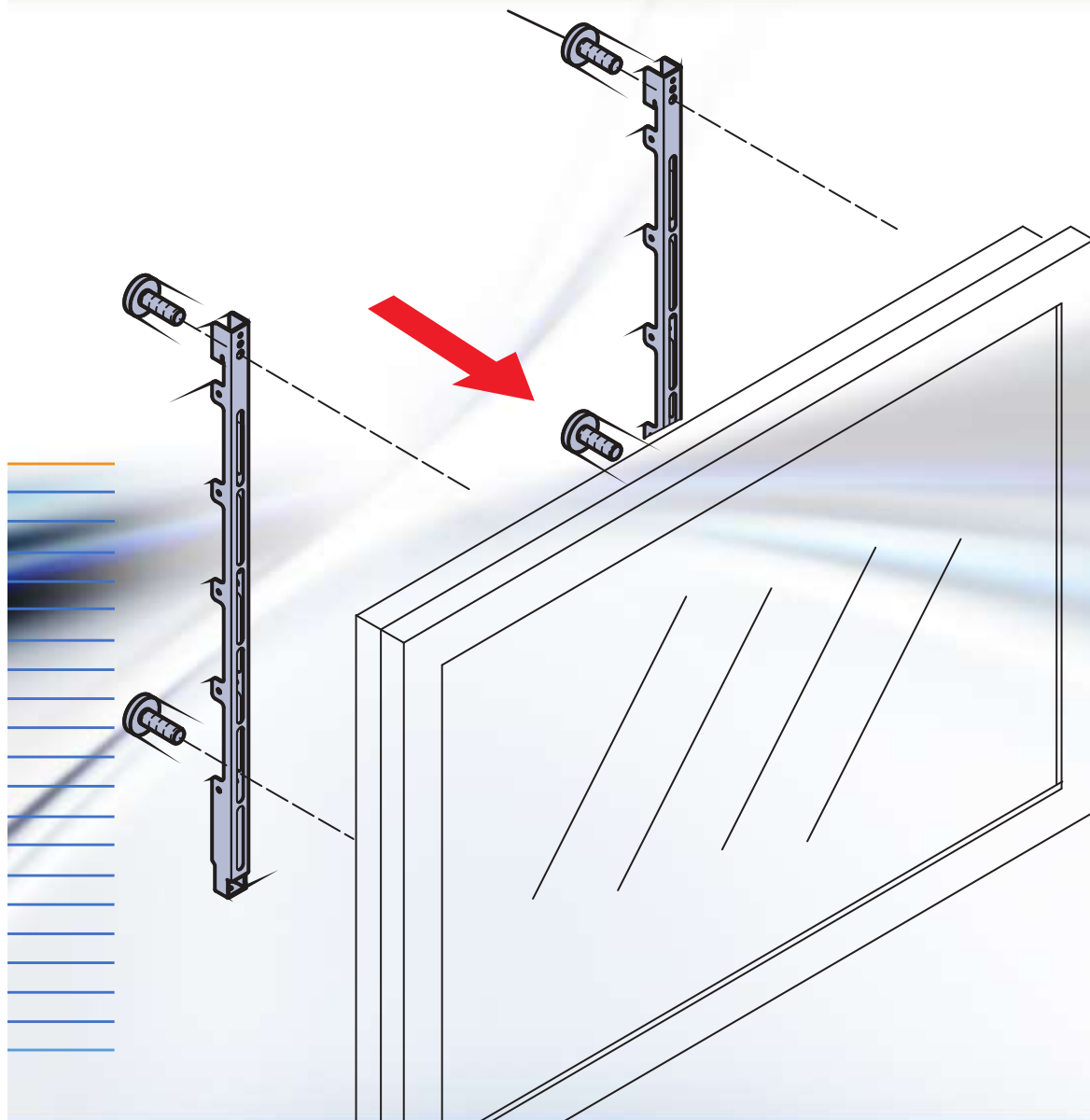
Top: short tab

Bottom: longer tab

M6 x 12mm
(8x)

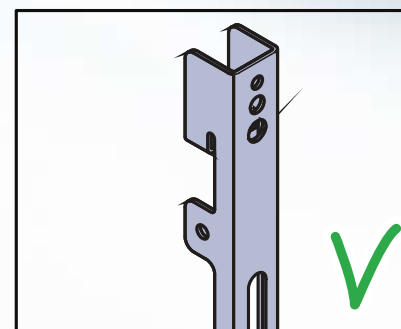
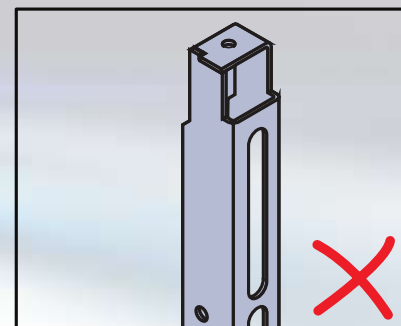


Mounting the vesa bracket to a BalanceBox® 650



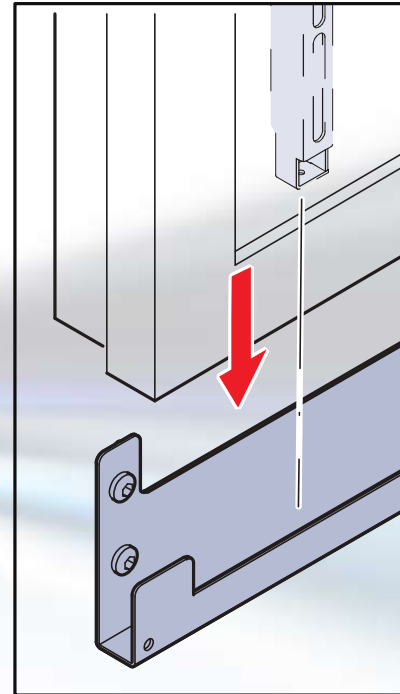
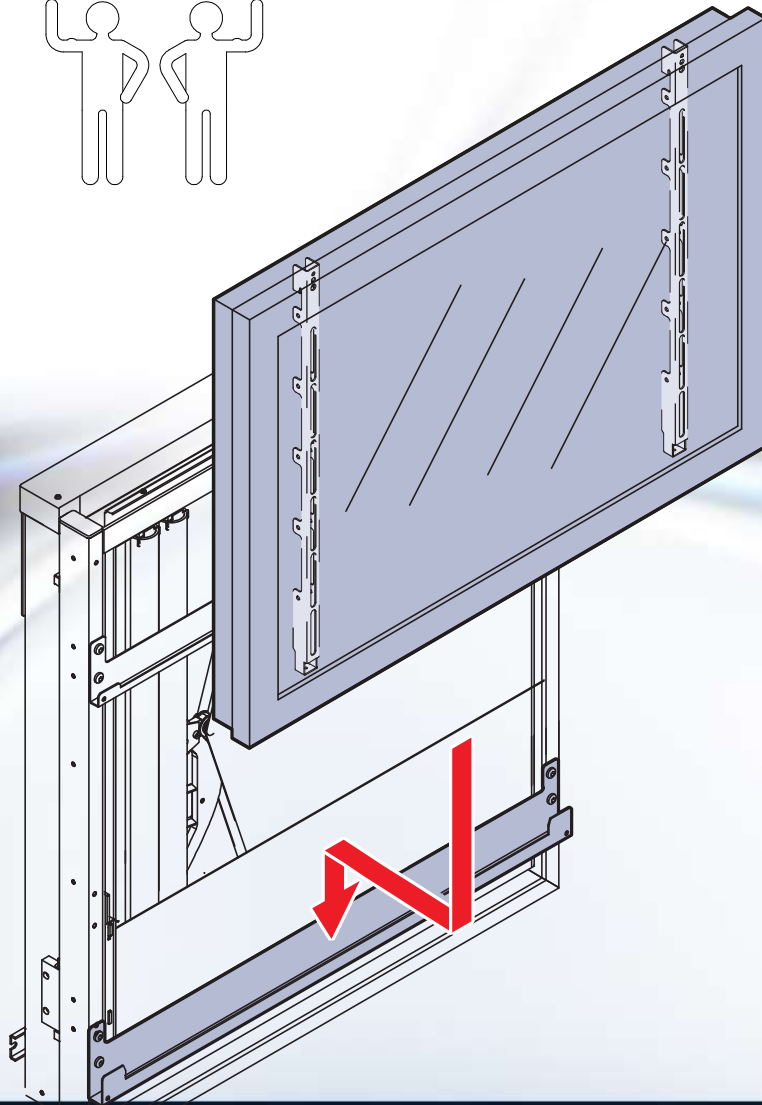
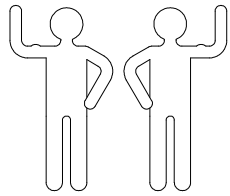
Mount the vertical profiles to the touchpanel.
Metric hardware 6, 8 and 10 mm included

NOTE: holes at the top





Mounting the vesa bracket to a BalanceBox® 650

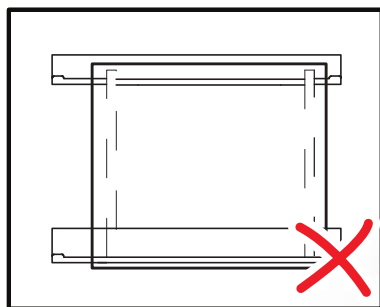


Lift the panel on to the BalanceBox®
NOTE: Flat against the brackets, then lower it

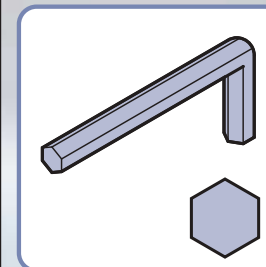
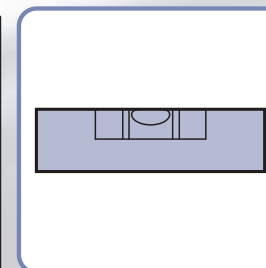
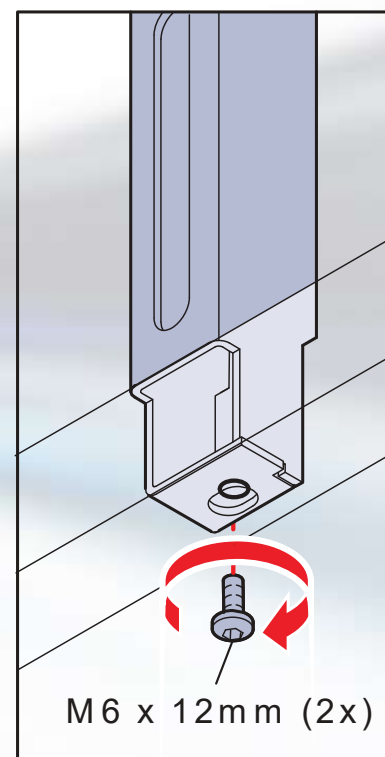
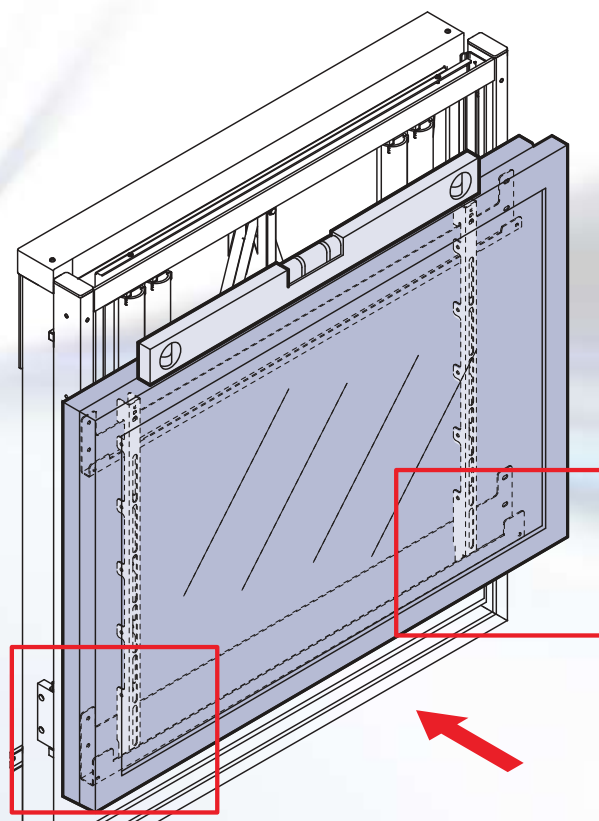
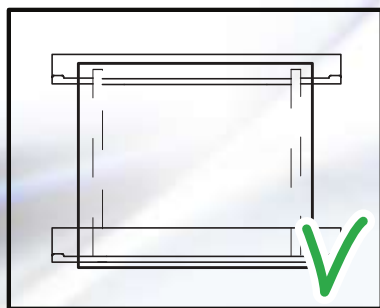
HEAVY: NOT A ONE MAN JOB



Mounting the vesa bracket to a BalanceBox[®] 650

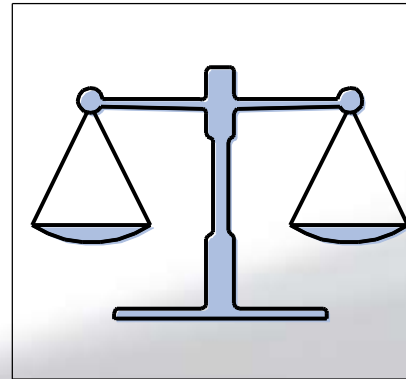
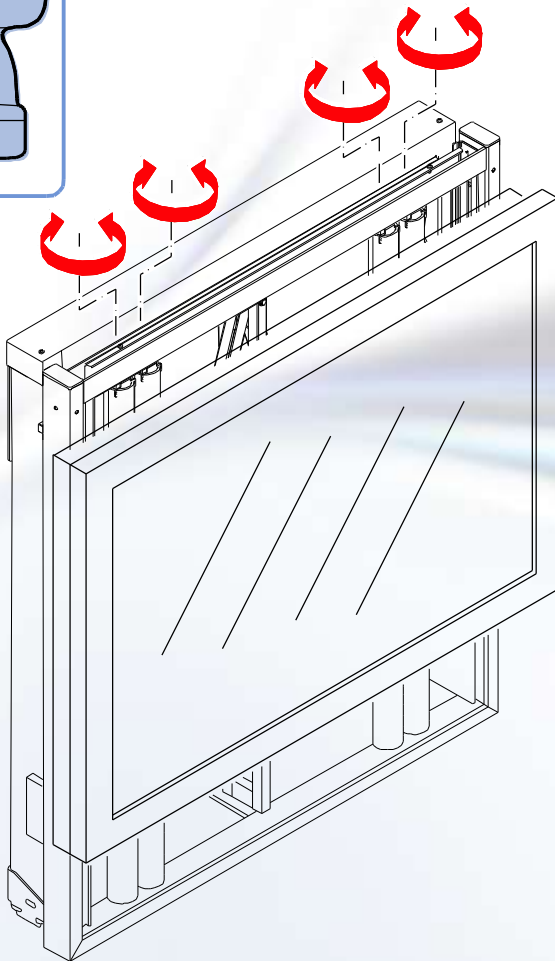
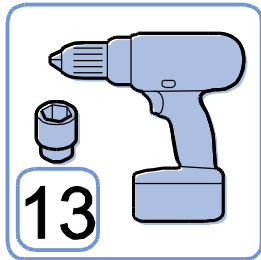


Center the touchpanel on the BalanceBox[®]



Now secure the assembly by inserting the security screws from the bottom and tightening them. Use a 4 mm allen key.

Balancing a BalanceBox® 650



Balance the weight on the BalanceBox® 650 by loosening (rotate counter clockwise) the 4 outermost bolts.



Use a drill driver and a 13 mm socket.
Undo each bolt 5 seconds in turn until the panel is balancing.



Fine-tune the balance